

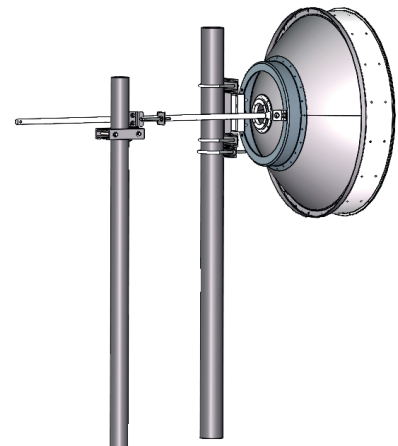
0.9m/3ft standard dual-polarized antenna specification

Electrical performance:

Antenna Model	Antenna Size(m/ft)	Frequency (GHz)	Gain(dBi)			3dB BW (degs)	XPD (dB)	VSWR	F/B radio (dB)	ISO
			Low	Mid	Top					
CMP096WDA	0.9m/3ft	5.925-7.125	32.7	33.5	34.3	3.6	30	1.3	58	35
CMP097WDA	0.9m/3ft	7.125-8.5	34.3	35.1	35.8	2.8	30	1.3	59	35
CMP0910WDA	0.9m/3ft	10-11.7	37.2	37.9	38.6	2.0	30	1.3	63	35
CMP0913WDA	0.9m/3ft	12.2-13.25	38.9	39.3	39.6	1.7	30	1.3	64	35
CMP0915DA	0.9m/3ft	14.4-15.35	40.4	40.7	41	1.5	30	1.3	66	35
CMP0918DA	0.9m/3ft	17.7-19.7	42.2	42.7	43.1	1.2	30	1.3	68	35
CMP0923DA	0.9m/3ft	21.2-23.6	43.7	44.2	41.1	1.0	30	1.3	69	35

Mechanical performance:

Diameter of Mounting Pole	Φ114 mm
Fine Azimuth Adjustment	Coarse 360° Fine ±15°
Fine Elevation Adjustment	Fine ± 10°
Wind Velocity Operational	180km/h
Wind Velocity Survival Rating	250km/h
Ice-load	25.4 mm
Operational Temperature	-55~ +70°C



1.The low/mid/high gain has ≤ -0.5 dBi tolerance is within the normal range;

2.F/B radio: Denotes highest radiation relative to the main beam, at $180^\circ \pm 40^\circ$, across the band. Production antennas do not exceed rated values by more than 2 dB unless stated otherwise;