

1.2m/4ft ultra high XPD performance dual-polarized microwave parabolic antenna specification

Electrical performance:

Antenna Model	Antenna Size(m/ft)	Frequency (GHz)	Gain(dBi)			3dB BW (degs)	XPD (dB)	VSWR	F/B radio (dB)	ISO
			Low	Mid	Top					
CMP124DC	1.2m/4ft	4.4-5.0	32.0	32.6	33.1	3.7	40	1.2	58	45
CMP126WDC	1.2m/4ft	5.925-7.125	34.9	35.7	36.5	2.7	40	1.15	61	45
CMP127WDC	1.2m/4ft	7.125-8.5	36.5	37.3	38.0	2.2	40	1.15	63	45
CMP1210WDC	1.2m/4ft	10-11.7	39.6	40.2	40.8	1.6	40	1.15	65	45
CMP1213WDC	1.2m/4ft	12.2-13.25	41.6	41.7	41.9	1.3	40	1.15	66	45
CMP1215DC	1.2m/4ft	14.4-15.35	42.6	42.9	43.2	1.1	40	1.15	66	45

1.2m/4ft high XPD performance dual-polarized microwave parabolic antenna specification

Electrical performance:

Antenna Model	Antenna Size(m/ft)	Frequency (GHz)	Gain(dBi)			3dB BW (degs)	XPD (dB)	VSWR	F/B radio (dB)	ISO
			Low	Mid	Top					
CMP124DB	1.2m/4ft	4.4-5.0	32.0	32.6	33.1	3.7	33	1.2	58	38
CMP126WDB	1.2m/4ft	5.925-7.125	34.9	35.7	36.5	2.7	33	1.15	61	38
CMP127WDB	1.2m/4ft	7.125-8.5	36.5	37.3	38.0	2.2	33	1.15	63	38
CMP1210WDB	1.2m/4ft	10-11.7	39.6	40.2	40.8	1.6	33	1.15	65	38
CMP1213WDB	1.2m/4ft	12.2-13.25	41.6	41.7	41.9	1.3	33	1.15	66	38
CMP1215DB	1.2m/4ft	14.4-15.35	42.6	42.9	43.2	1.1	33	1.15	66	38

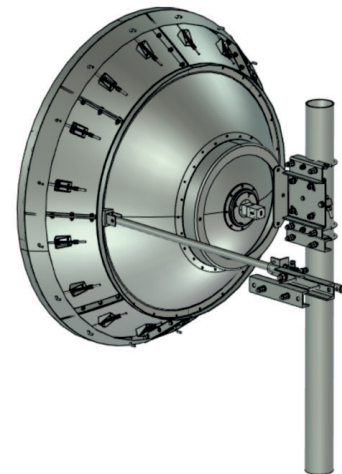
1.2m/4ft standard performance dual-polarized microwave parabolic antenna specification

Electrical performance:

Antenna Model	Antenna Size(m/ft)	Frequency (GHz)	Gain(dBi)			3dB BW (degs)	XPD (dB)	VSWR	F/B radio (dB)	ISO
			Low	Mid	Top					
CMP124DA	1.2m/4ft	4.4-5.0	32.0	32.6	33.1	3.7	30	1.2	58	35
CMP126WDA	1.2m/4ft	5.925-7.125	34.9	35.7	36.5	2.7	30	1.15	61	35
CMP127WDA	1.2m/4ft	7.125-8.5	36.5	37.3	38.0	2.2	30	1.15	63	35
CMP1210WDA	1.2m/4ft	10-11.7	39.6	40.2	40.8	1.6	30	1.15	65	35
CMP1213WDA	1.2m/4ft	12.2-13.25	41.6	41.7	41.9	1.3	30	1.15	66	35
CMP1215DA	1.2m/4ft	14.4-15.35	42.6	42.9	43.2	1.1	30	1.15	66	35

Mechanical performance:

Diameter of Mounting Pole	Φ114 mm
Fine Azimuth Adjustment	Coarse 360° Fine ±15°
Fine Elevation Adjustment	Fine ±10°
Wind Velocity Operational	180km/h
Wind Velocity Survival	200km/h
Ice-load	25.4 mm
Operational Temperature	-55~ +70°C



1.The low/mid/high gain has ≤ -0.5 dBi tolerance is within the normal range;

2.F/B radio: Denotes highest radiation relative to the main beam, at $180^\circ \pm 40^\circ$, across the band. Production antennas do not exceed rated values by more than 2 dB unless stated otherwise;