

## 2.4m/8ft ultra high XPD dual-polarized microwave parabolic antenna specification

### Electrical performance:

Antenna Model	Antenna Size(m/ft)	Frequency (GHz)	Gain(dBi)			3dB BW (degs)	XPD (dB)	VSWR	F/B radio (dB)	ISO
			Low	Mid	Top					
CMP243DC	2.4m/8ft	3.6-4.2	36.1	37.3	38	2.4	40	1.15	62	45
CMP244DC	2.4m/8ft	4.4-5.0	38.0	38.8	39.3	2.0	40	1.15	63	45
CMP246WDC	2.4m/8ft	5.925-7.125	40.8	41.7	42.5	1.4	40	1.1	67	45
CMP247WDC	2.4m/8ft	7.125-8.5	42.5	43.3	44.0	1.1	40	1.1	69	45
CMP2410WDC	2.4m/8ft	10-11.7	45.5	46.1	46.8	0.8	40	1.1	71	45
CMP2413WDC	2.4m/8ft	12.2-13.25	47.5	47.7	47.9	0.7	40	1.1	72	45
CMP2415DC	2.4m/8ft	14.4-15.35	48.6	48.8	49.1	0.6	40	1.1	74	45

## 2.4m/8ft high XPD dual-polarized microwave parabolic antenna specification

### Electrical performance:

Antenna Model	Antenna Size(m/ft)	Frequency (GHz)	Gain(dBi)			3dB BW (degs)	XPD (dB)	VSWR	F/B radio (dB)	ISO
			Low	Mid	Top					
CMP243DB	2.4m/8ft	3.6-4.2	36.1	37.3	38	2.4	33	1.15	62	38
CMP244DB	2.4m/8ft	4.4-5.0	38.0	38.8	39.3	2.0	33	1.15	63	38
CMP246WDB	2.4m/8ft	5.925-7.125	40.8	41.7	42.5	1.4	33	1.1	67	38
CMP247WDB	2.4m/8ft	7.125-8.5	42.5	43.3	44.0	1.1	33	1.1	69	38
CMP2410WDB	2.4m/8ft	10-11.7	45.5	46.1	46.8	0.8	33	1.1	71	38
CMP2413WDB	2.4m/8ft	12.2-13.25	47.5	47.7	47.9	0.7	33	1.1	72	38
CMP2415DB	2.4m/8ft	14.4-15.35	48.6	48.8	49.1	0.6	33	1.1	74	38

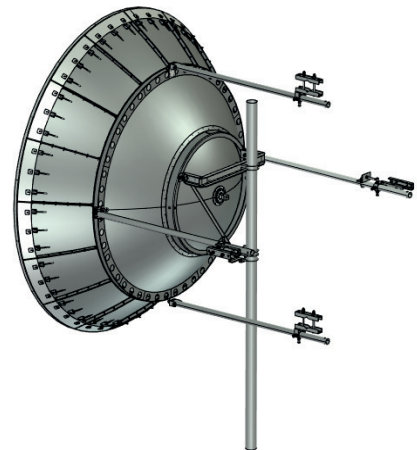
## 2.4m/8ft standard dual-polarized microwave parabolic antenna specificati

### Electrical performance:

Antenna Model	Antenna Size(m/ft)	Frequency (GHz)	Gain(dBi)			3dB BW (degs)	XPD (dB)	VSWR	F/B radio (dB)	ISO
			Low	Mid	Top					
CMP243DA	2.4m/8ft	3.6-4.2	36.1	37.3	38	2.4	30	1.15	62	35
CMP244DA	2.4m/8ft	4.4-5.0	38.0	38.8	39.3	2.0	30	1.15	63	35
CMP246WDA	2.4m/8ft	5.925-7.125	40.8	41.7	42.5	1.4	30	1.1	67	35
CMP247WDA	2.4m/8ft	7.125-8.5	42.5	43.3	44.0	1.1	30	1.1	69	35
CMP2410WDA	2.4m/8ft	10-11.7	45.5	46.1	46.8	0.8	30	1.1	71	35
CMP2413WDA	2.4m/8ft	12.2-13.25	47.5	47.7	47.9	0.7	30	1.1	72	35
CMP2415DA	2.4m/8ft	14.4-15.35	48.6	48.8	49.1	0.6	30	1.1	74	35

### Mechanical performance:

Diameter of Mounting Pole	Φ114 mm
Fine Azimuth Adjustment	Coarse 360° Fine ±5°
Fine Elevation Adjustment	Fine ±5°
Wind Velocity Operational	180km/h
Wind Velocity Survival	200km/h
Ice-load	25.4 mm
Operational Temperature	-55~ +70°C



1.The low/mid/high gain has  $\leq -0.5$ dBi tolerance is within the normal range;

2.F/B radio: Denotes highest radiation relative to the main beam, at  $180^\circ \pm 40^\circ$ , across the band. Production antennas do not exceed rated values by more than 2 dB unless stated otherwise;