

### 3.0m/10ft ultra high XPD performance dual-polarized microwave parabolic antenna specification

#### Electrical performance:

Antenna Model	Antenna Size(m/ft)	Frequency (GHz)	Gain(dBi)			3dB BW (degs)	XPD (dB)	VSWR	F/B radio (dB)	ISO
			Low	Mid	Top					
CMP303DC	3.0m/10ft	3.6-4.2	38.3	38.9	39.5	1.9	40	1.15	64	45
CMP304DC	3.0m/10ft	4.4-5.0	40	40.6	41.1	1.5	40	1.15	65	45
CMP306WDC	3.0m/10ft	5.925-7.125	42.8	43.6	44.4	1.1	40	1.1	69	45
CMP307WDC	3.0m/10ft	7.125-8.5	44.4	45.2	46.0	0.9	40	1.1	71	45
CMP3010WDC	3.0m/10ft	10-11.7	47.4	48.1	48.7	0.7	40	1.1	73	45
CMP3013WDC	3.0m/10ft	12.2-13.25	49.4	49.6	49.8	0.6	40	1.1	75	45

### 3.0m/10ft high XPD performance dual-polarized microwave parabolic antenna specification

#### Electrical performance:

Antenna Model	Antenna Size(m/ft)	Frequency (GHz)	Gain(dBi)			3dB BW (degs)	XPD (dB)	VSWR	F/B radio (dB)	ISO
			Low	Mid	Top					
CMP303DB	3.0m/10ft	3.6-4.2	38.3	38.9	39.5	1.9	33	1.15	64	38
CMP304DB	3.0m/10ft	4.4-5.0	40	40.6	41.1	1.5	33	1.15	65	38
CMP306WDB	3.0m/10ft	5.925-7.125	42.8	43.6	44.4	1.1	33	1.1	69	38
CMP307WDB	3.0m/10ft	7.125-8.5	44.4	45.2	46.0	0.9	33	1.1	71	38
CMP3010WDB	3.0m/10ft	10-11.7	47.4	48.1	48.7	0.7	33	1.1	73	38
CMP3013WDB	3.0m/10ft	12.2-13.25	49.4	49.6	49.8	0.6	33	1.1	75	38

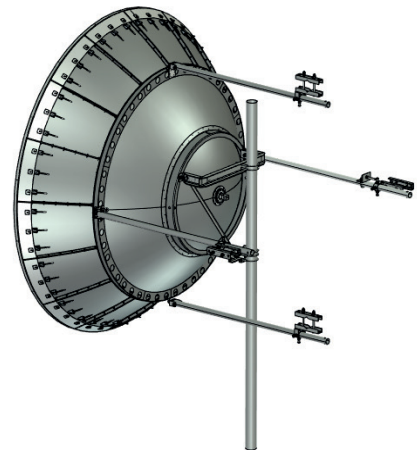
### 3.0m/10ft standard performance dual-polarized microwave parabolic antenna specification

#### Electrical performance:

Antenna Model	Antenna Size(m/ft)	Frequency (GHz)	Gain(dBi)			3dB BW (degs)	XPD (dB)	VSWR	F/B radio (dB)	ISO
			Low	Mid	Top					
CMP303DA	3.0m/10ft	3.6-4.2	38.3	38.9	39.5	1.9	30	1.15	64	35
CMP304DA	3.0m/10ft	4.4-5.0	40	40.6	41.1	1.5	30	1.15	65	35
CMP306WDA	3.0m/10ft	5.925-7.125	42.8	43.6	44.4	1.1	30	1.1	69	35
CMP307WDA	3.0m/10ft	7.125-8.5	44.4	45.2	46.0	0.9	30	1.1	71	35
CMP3010WDA	3.0m/10ft	10-11.7	47.4	48.1	48.7	0.7	30	1.1	73	35
CMP3013WDA	3.0m/10ft	12.2-13.25	49.4	49.6	49.8	0.6	30	1.1	75	35

#### Mechanical performance:

Diameter of Mounting Pole	Φ114 mm
Fine Azimuth Adjustment	Coarse 360° Fine ±5°
Fine Elevation Adjustment	Fine ±5°
Wind Velocity Operational	180km/h
Wind Velocity Survival	200km/h
Ice-load	25.4 mm
Operational Temperature	-55~ +70°C



1.The low/mid/high gain has  $\leq -0.5$ dBi tolerance is within the normal range;

2.F/B radio: Denotes highest radiation relative to the main beam, at  $180^\circ \pm 40^\circ$ , across the band. Production antennas do not exceed rated values by more than 2 dB unless stated otherwise;