

3.7m/12ft ultra high XPD performance dual-polarized microwave parabolic antenna specification

Electrical performance:

| Antenna Model | Antenna Size(m/ft) | Frequency (GHz) | Gain(dBi) | | | 3dB BW (degs) | XPD (dB) | VSWR | F/B radio (dB) | ISO |
|---------------|--------------------|-----------------|-----------|------|------|---------------|----------|------|----------------|-----|
| | | | Low | Mid | Top | | | | | |
| CMP373DC | 3.7m/12ft | 3.6-4.2 | 40.1 | 40.9 | 41.4 | 1.6 | 40 | 1.15 | 66 | 45 |
| CMP374DC | 3.7m/12ft | 4.4-5.0 | 41.6 | 42.2 | 42.7 | 1.2 | 40 | 1.15 | 67 | 45 |
| CMP376WDC | 3.7m/12ft | 5.925-7.125 | 44.4 | 45.2 | 46.0 | 1 | 40 | 1.1 | 71 | 45 |
| CMP377WDC | 3.7m/12ft | 7.125-8.5 | 46.0 | 46.8 | 47.5 | 0.8 | 40 | 1.1 | 73 | 45 |
| CMP3710WDC | 3.7m/12ft | 10-11.7 | 48.4 | 49.4 | 50.3 | 0.6 | 40 | 1.1 | 75 | 45 |

3.7m/12ft high XPD performance dual-polarized microwave parabolic antenna specification

Electrical performance:

| Antenna Model | Antenna Size(m/ft) | Frequency (GHz) | Gain(dBi) | | | 3dB BW (degs) | XPD (dB) | VSWR | F/B radio (dB) | ISO |
|---------------|--------------------|-----------------|-----------|------|------|---------------|----------|------|----------------|-----|
| | | | Low | Mid | Top | | | | | |
| CMP373DB | 3.7m/12ft | 3.6-4.2 | 40.1 | 40.9 | 41.4 | 1.6 | 33 | 1.15 | 66 | 38 |
| CMP374DB | 3.7m/12ft | 4.4-5.0 | 41.6 | 42.2 | 42.7 | 1.2 | 33 | 1.15 | 67 | 38 |
| CMP376WDB | 3.7m/12ft | 5.925-7.125 | 44.4 | 45.2 | 46.0 | 1 | 33 | 1.1 | 71 | 38 |
| CMP377WDB | 3.7m/12ft | 7.125-8.5 | 46.0 | 46.8 | 47.5 | 0.8 | 33 | 1.1 | 73 | 38 |
| CMP3710WDB | 3.7m/12ft | 10-11.7 | 48.4 | 49.4 | 50.3 | 0.6 | 33 | 1.1 | 75 | 38 |

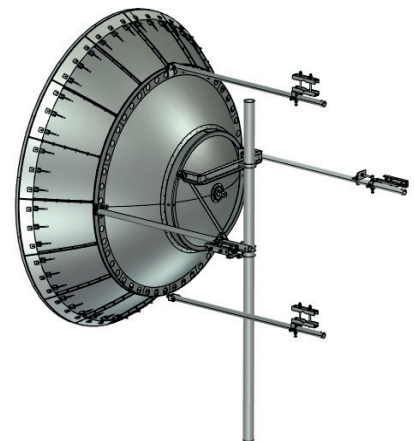
3.7m/12ft standard performance dual-polarized microwave parabolic antenna specification

Electrical performance:

| Antenna Model | Antenna Size(m/ft) | Frequency (GHz) | Gain(dBi) | | | 3dB BW (degs) | XPD (dB) | VSWR | F/B radio (dB) | ISO |
|---------------|--------------------|-----------------|-----------|------|------|---------------|----------|------|----------------|-----|
| | | | Low | Mid | Top | | | | | |
| CMP373DA | 3.7m/12ft | 3.6-4.2 | 40.1 | 40.9 | 41.4 | 1.6 | 30 | 1.15 | 66 | 35 |
| CMP374DA | 3.7m/12ft | 4.4-5.0 | 41.6 | 42.2 | 42.7 | 1.2 | 30 | 1.15 | 67 | 35 |
| CMP376WDA | 3.7m/12ft | 5.925-7.125 | 44.4 | 45.2 | 46.0 | 1 | 30 | 1.1 | 71 | 35 |
| CMP377WDA | 3.7m/12ft | 7.125-8.5 | 46.0 | 46.8 | 47.5 | 0.8 | 30 | 1.1 | 73 | 35 |
| CMP3710WDA | 3.7m/12ft | 10-11.7 | 48.4 | 49.4 | 50.3 | 0.6 | 30 | 1.1 | 75 | 35 |

Mechanical performance:

| | |
|---------------------------|----------------------|
| Diameter of Mounting Pole | Φ114 mm |
| Fine Azimuth Adjustment | Coarse 360° Fine ±5° |
| Fine Elevation Adjustment | Fine ±5° |
| Wind Velocity Operational | 180km/h |
| Wind Velocity Survival | 200km/h |
| Ice-load | 25.4 mm |
| Operational Temperature | -55~ +70°C |



1.The low/mid/high gain has ≤ -0.5 dBi tolerance is within the normal range;

2.F/B radio: Denotes highest radiation relative to the main beam, at $180^\circ \pm 40^\circ$, across the band. Production antennas do not exceed rated values by more than 2 dB unless stated otherwise;